

I3WL820 2/1 GN



114267

ENGLISH

Table of contents

1. Safety 18
1.1 Key to symbols 18
1.2 Safety instructions 19
1.3 Use as intended 23
1.4 Use against the intended purpose 23

2. General information 24
2.1 Liability and Warrantees 24
2.2 Copyright protection 24
2.3 Declaration of conformity 24

3. Transport, packaging and storage..... 25
3.1 Delivery check 25
3.2 Packaging..... 25
3.3 Storage..... 25

4. Technical data 26
4.1 Overview of parts 26
4.2 Technical specification 27

5. Installation and operation..... 28
5.1 Installation 28
5.2 Operation..... 30

6. Cleaning 31

7. Waste disposal 32

Bartscher GmbH
Franz-Kleine-Str. 28
33154 Salzkotten
Germany

phone: +49 5258 971-0
fax: +49 5258 971-120
Service-Hotline: +49 5258 971-197
www.bartscher.com



Read this instruction manual before using and keep them available at all times!

This instruction manual contains information about the installation, operation and maintenance of the device and should be consulted as an important source of information and reference guide.

Awareness of the safety instructions and instructions for use in this manual will ensure the safe and correct use of the device.

In addition to the information given here, you should comply with any local Health and safety Controls and generally applicable safety regulations.

The instruction manual forms part of the product and should be kept near the device and easily accessible for anyone carrying out the installation, servicing, maintenance or cleaning.

Please keep these instructions and give them to future owners of the device.

1. Safety

This device is designed in accordance with the presently applicable technological standards. However, the device can pose a danger if handled improperly and inappropriately.

All persons using the device must follow the recommendations and instructions in this instruction manual.

1.1 Key to symbols

In this manual, symbols are used to highlight important safety instructions and any advice relating to the device. The instructions should be followed very carefully to avoid any risk of accident, personal injury or material damage.



DANGER!

This symbol highlights hazards which could lead to injury.



WARNING!

This symbol highlights dangerous situations which could lead to injury or death.



HOT SURFACE!

This symbol is a warning that the device surface is hot when in use. Ignoring this warning may result in burns!



CAUTION!

This symbol highlights dangerous situations which could lead to light injuries, or damage, malfunction, and/or destruction of the device.



NOTE!

This symbol highlights recommendations and information aimed for effective and trouble-free device operation.

1.2 Safety instructions

- The device is not intended for use by individuals (including children) with physical or mental disabilities, insufficient experience, and/or insufficient knowledge unless such persons are under the care of a person responsible for their safety or have received instructions regarding appropriate use of the device.
- Children should be observed to ensure that they are not playing with or starting the device.
- Prevent access of children to the package materials like plastic bags and foamed polystyrene elements. **Suffocation hazard!**
- **Never** leave the device unattended when in use.
- Only use the device indoors.

- The device must be operated in correct and safe technical condition only. In case of operational problems disconnect the device from the power supply (pull the plug from the socket) and contact the service company.
- Only a qualified technician and using original spare parts and accessories should carry out repairs and maintenance of the device. **Do not attempt to repair the device yourself.**
- Do not use any accessory or spare parts that have not been recommended by the manufacturer. These can be dangerous for the user or lead to damages of the device or personal injury, and further, the warranty expires.
- To prevent hazards and to ensure optimum efficiency, no modifications or alterations to the device that are not explicitly approved by the manufacturer may be undertaken.



DANGER! Electric shock hazard!

To avoid the hazard results please follow the instructions below.

- Never allow the power cable to come into contact with heat sources or sharp edges. The power cable should not hang over the side of the working surface. Ensure that no one can step on or trip over the cable.
- The power cable must not be folded, bent or tangled, and must always remain fully unrolled. Never place the device or other objects on the power cable.
- Do not cover the cable. Keep away the cable from operating range.

- Check the power cord regularly for damage. Do not use the appliance if the power cord is damaged. If this cable is damaged, it must be replaced by customer service or a qualified electrician in order to avoid dangers.
- The supply cable must be disconnected from the socket only by pulling the plug.
- Never carry or lift the device by the supply cable.
- In any case do not open the device housing. In case of electrical or mechanical modifications the **electric shock hazard will occur**.
- Never immerse the appliance, the power cord and the power plug in water or other liquids.
- Do not use any acid agents and make sure no water ingresses the device.
- **Never** operate the device with moist hands or standing on wet floor.
- Remove the plug from its socket:
 - when the device is not used,
 - in case of anomalies during operation,
 - before cleaning.



HOT SURFACE! Burn hazard!

To avoid the hazard results please follow the instructions below.

- During operation the ventilated aluminium reflectors, infrared lamps and upper part of the frame become very hot. You must not touch these parts. Use appropriate protective gloves to handle the food products.

- When switched off, the ventilated aluminium reflectors, infrared lamps and upper part of the frame stay hot for some time. Before starting cleaning or moving the device elsewhere, let the device cool down completely.
- During the heat maintaining process the GN container with food becomes hot. When lifting the GN container always use protective gloves or a dish cloth!



WARNING! Fire or explosion hazard!

To avoid the hazard results please follow the instructions below.

- To avoid the fire hazard and damage to the device **never** place the kitchen utensils, towels, paper, etc. on the food warmer.
- **Never** use the device near flammable or inflammable materials (such as alcohol, spirits, petrol, etc). High temperature may cause their evaporation and due to contact with the ignition sources the explosion may occur, and it may result in personal injuries and material damage.
- In case of fire and before taking relevant fire extinguishing action, disconnect the device from the electric power supply (unplug!).

Caution: Never use water for fire extinguishing when the device is connected to the power supply. Electric shock hazard!

When the fire has been extinguished ensure sufficient fresh air inflow.

1.3 Use as intended

Every use of the device for a different purpose and/or in a way that diverges from the intended use is not allowed and is assumed as the use against the intended purpose.

Any claims against the manufacturer or their authorized representatives as a consequence of experiencing damage resulting from the use against the intended purpose are inadmissible.

The liability for damage occurred during the use of the device against its intended purpose is borne solely and exclusively by the user.

Safety operation of the device is guaranteed only when it is used for its intended purpose and according to the instructions included in this manual.

The food warmer is intended for keeping food warm using appropriate GN 2/1 container.

1.4 Use against the intended purpose

Any use other than those mentioned in point “**1.3 Use as intended**“ is assumed as the use against the intended purpose and is not allowed.

The use against the intended purpose may lead to severe injury or damage caused by hazardous voltage, fire or high temperature. It is allowed to use the device to perform only the work described in the instruction manual. Improper use may cause the device damage.

Any manipulation with the device, assembly or maintenance work may be performed exclusively by the authorized service staff.

2. General information

2.1 Liability and Warrantees

All the information and instructions in this manual take into account standard safety regulations, current levels of technical engineering as well as the expertise and experience we have developed over the years.

The instruction manual was translated with all due care and attention. However, we do not accept liability for any translation errors. The German version of this instruction manual is definitive.

If the delivery consists of a special model, the actual scope of delivery may differ from the descriptions and illustrations in this manual. This is also the case for special orders or when the device has been modified in line with new technology.



CAUTION!

Read this manual carefully and thoroughly before any operation of the device, and especially before turning it on!

Manufacturer **is not liable** for any damages or faults caused by:

- violation of advice concerning operation and cleaning;
- use other than designed;
- alterations made by user;
- use of inadequate spare parts.

We reserve the right to make technical changes for purposes of developing and improving the useful properties.

2.2 Copyright protection

The instruction manual including any texts, drawings, images or other illustrations is copyright. No part of this publication may be reproduced, transmitted or used in any form or by any means without permission in writing from the manufacturer. Any person who commits any unauthorized act in relation to this publication shall be liable to claims for damages. All rights reserved.



NOTE!

The contents, texts, drawings, pictures and any other illustrations are copyright and subject to other protection rights. Any person unlawfully using this publication is liable to criminal prosecution.

2.3 Declaration of conformity



The device complies with the current standards and directives of the EU. We certify this in the EC declaration of conformity. If required we will be glad to send you the according declaration of conformity.

3. Transport, packaging and storage

3.1 Delivery check

Please check the delivery upon completeness and transport damage immediately after receipt. In case of visible damage do not accept or accept the delivery with reservation only.

Note the extent of damage on the carrier's bill of delivery. Trigger off the complaint.

Hidden damages should be reclaimed immediately after notice, as claims for damages can only be asserted within the effective period for complaints.

3.2 Packaging

Please do not throw away the covering carton of your device as it might be useful for storage purposes, when moving or, in case of damages, when the device must be sent back to a repair center. The outer and inner packing material should be removed completely from the device before installation.



If you liked to dispose the packing, consider the regulations applicable in your country. Supply re-usable packing materials to the recycling.

Please inspect the device upon completeness. In case any part is missing please contact our customer service center immediately.

3.3 Storage

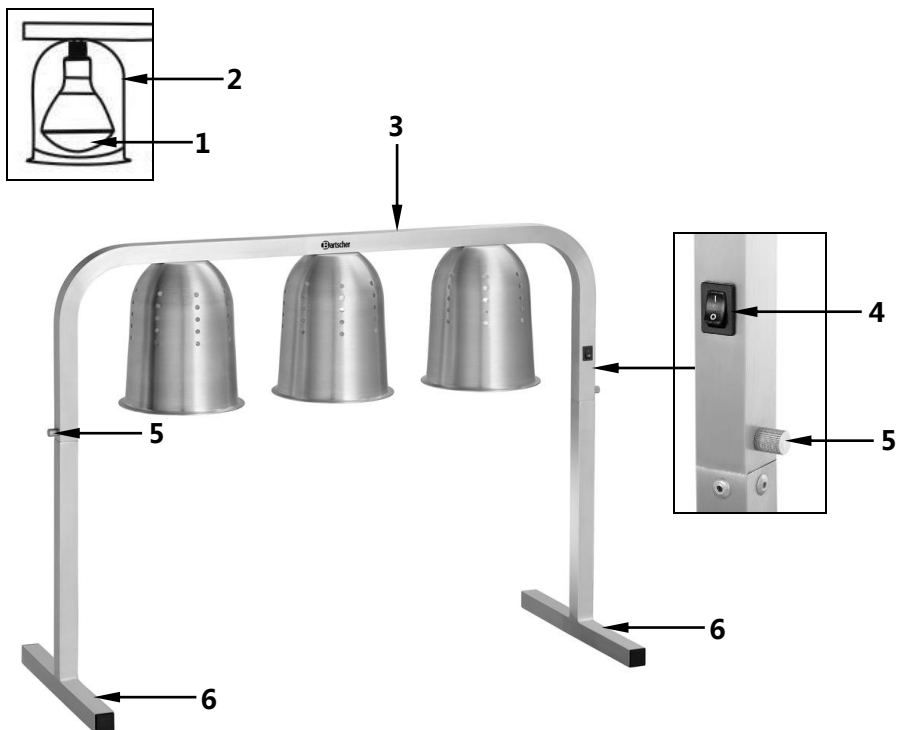
Keep the package closed until installation and under consideration of the outside indicated positioning- and storage markings.

Packages should be stored under consideration of the following:

- do not store outdoors,
- keep it dry and dust-free,
- do not expose it to aggressive media,
- do not expose it to direct sunlight,
- avoid mechanical shocks and vibration,
- in case of longer storage (> 3 months) make sure you check the state of the packaging and the parts regularly, if required refresh or renew.

4. Technical data

4.1 Overview of parts



- 1 Infrared lamp (3x)
- 2 Ventilated aluminium reflectors (3x)
- 3 Upper lamp holder
- 4 ON/OFF switch
- 5 Lamp holder mounting screw (2x)
- 6 Lower frame (2x)

4.2 Technical specification

Description	Food warmer I3WL820 2/1 GN
Code-No.:	114267
Material:	Aluminium
Model:	<ul style="list-style-type: none"> ▪ Heat source <ul style="list-style-type: none"> - Type: infrared lamps, with ventilated aluminium reflectors - Number: 3 - Power per heat source: 0.275 kW ▪ Designed for GN basins / GN tray ▪ Cut-out for GN containers W 650 x D 530 x H 65 mm ▪ Basin size, GN GN 2/1 format ▪ Max. GN container depth: 65 mm ▪ ON/OFF switch ▪ Delivery state: Building kit (simple assembly)
Temperature range:	max. 58°C
Power:	0.825 kW / 230 V 50 Hz
Clear height:	390 mm
Dimensions:	W 810 x D 340 x H 610 mm
Weight:	2.1 kg

We reserve the right to make technical changes!

Important tip: delivery without GN containers!

5. Installation and operation

5.1 Installation

Unpacking

- Unpack the device and check the delivery completeness. Delivery include the following elements:
 - 1 x upper lamp holder with 3 factory-assembled aluminium reflectors and 3 infrared lamps;
 - 2 x lower frame
 - 2 x mounting screw
 - 1 x installation instructions
- Remove and dispose of all package material according to the environment protection regulations.

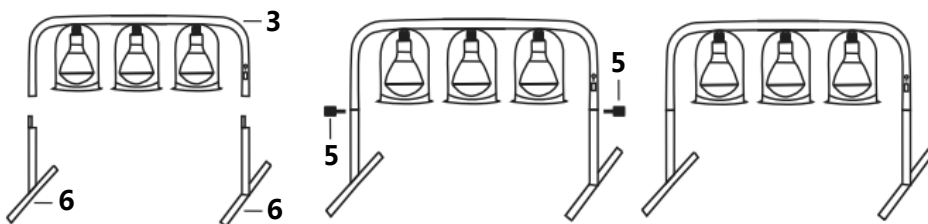


CAUTION!

Never remove the nameplate and warning signs from the device.

Assembly

- The assembly of the device should be carried out in the following steps (see figure).



- Place the upper lamp holder (3) on the lower frame tube (6).
- Screw the upper lamp holder with the factory-assembled infrared lamps (3) and lower frame (6) left and right using mounting screws (5).
- The device is ready for use.

Positioning

- Put the device on an even, stable, dry and waterproof surface which is resistant to high temperature.
- **Never** place the device on an inflammable surface.
- Do not place the device near open flame, electric heaters or other heat source.
- **Never** place the device at the edge of a table to avoid tilting or falling.
- **Never** put the device in a moist or wet area.
- **Never** locate the device in the direct vicinity of walls, low wall, kitchen furniture, or other objects. Make sure there is enough distance (at least 30 cm) from walls and other flammable or prone to discolouration objects. Follow the valid fire protection regulations.
- When it is not possible to leave the recommended distance, use appropriate protection means (e.g. heat-resistant foil that will ensure keeping the wall temperature within the safe range).
- Always keep the working area around the device clean and dry.
- When locating the device, make sure the power plug is easily accessible to immediately unplug the device, if necessary.

Connection



DANGER! Electric shock hazard!

The device can cause injuries due to improper installation! Before installation and connecting the local power grid specification should be compared with that of the device (see rating plate). Connect the device only in case of compliance!

- The power supply circuit with the socket must be protected by the fuse of at least 16A. Connect the device directly to a single grounded socket. Do not use any power bar or multiple socket.

5.2 Operation

- Make sure the device is disconnected from the power supply.
- Before use, clean the device according to the instructions set out in point 6 “Cleaning”.
- Connect the device to the single grounded socket.
- Place the warm food products in the GN 2/1 container under the infrared lamps.
- The device is provided with 3 infrared lamps. Turn on the infrared lamps with the ON/OFF switch (4) setting it to “I” position.
- The food products are kept warm during the required time thanks to the infrared lamps.
- Remove the food products when needed and serve.



HOT SURFACE! Burn hazard!

The surfaces of the ventilated aluminium reflectors, heat lamps and device frame become very hot during operation. Do not touch these elements of the device to avoid burns.

- When the device is not in use, switch it off with the ON/OFF switch by setting it to “O” position and pull the plug from the power supply.

6. Cleaning



WARNING!

Before cleaning disconnect the device from the power supply (pull the plug!) and leave to cool off.

Never clean the device with use of pressurized water jet. Protect the device from water penetration.



CAUTION!

Do not use aggressive or bleaching cleaning agents containing active oxygen, chlorine or corrosive components, abrasive or scouring cleaning agents, such as steel wool, steel wool containing soap, metal or plastic sponges, or similar agents with abrasive surface.

- Clean the device regularly.
- Clean the lower frame, upper lamp holder, ventilated aluminium reflectors with a damp, soft cloth and mild cleaning agent.
- Clean the GN container in use regularly with running water, a soft cloth and mild cleaning agent. Rinse the GN container with clean water and dry thoroughly.
- Use only a soft cloth or sponge, **never** use any abrasive cleaning agents which may scratch the device.
- After cleaning use a soft and dry cloth to dry and polish the device surfaces.

Storing of the device

- If the device is not used for a longer time, clean it thoroughly according to the instructions above and store it in a dry, clean place, protected from cold, sunlight, and children. Do not place any heavy objects on the device.

7. Waste disposal

Old devices



The electric devices are marked with this symbol. You must not dispose of electric devices with household waste. When the device may not be longer used each consumer is obliged to dispose of the device at the dedicated local collection point, separately from household waste.



NOTE!

Electric devices should be used and disposed of properly to prevent the impact on the environment.

- Disconnect the device from the power supply and remove the power cord from the device.