



500830



500840

ENGLISH
Translation
of the original instruction manual



Read these instructions before using and keep them available at all times!

- 1. General information 14**
 - 1.1 Information about the instruction manual 14
 - 1.2 Key to symbols 14
 - 1.3 Liability and Warrantees 15
 - 1.4 Copyright protection 15
 - 1.5 Declaration of conformity 15
- 2. Safety 16**
 - 2.1 General information 16
 - 2.2 Safety instructions for use of the device 16
 - 2.3 Intended use 17
- 3. Transport, packaging and storage 18**
 - 3.1 Delivery check 18
 - 3.2 Packaging 18
 - 3.3 Storage 18
- 4. Technical data 19**
 - 4.1 Overview of parts 19
 - 4.2 Technical specification 20
- 5. Installation and operation 20**
 - 5.1 Safety instructions 20
 - 5.2 Installation and connection 21
 - 5.3 Operation 21
- 6. Cleaning and maintenance 23**
 - 6.1 Safety advice 23
 - 6.2 Cleaning 23
 - 6.3 Safety instructions for maintenance 24
- 7. Waste disposal 24**

Bartscher GmbH
Franz-Kleine-Str. 28
D-33154 Salzkotten
Germany

phone: +49 (0) 5258 971-0
fax: +49 (0) 5258 971-120

1. General information

1.1 Information about the instruction manual

This instruction manual contains information about the installation, operation and maintenance of the device and should be consulted as an important source of information and reference guide.

Awareness of the safety instructions and instructions for use in this manual will ensure the safe and correct use of the device.

In addition to the information given here, you should comply with any local Health and safety Controls and generally applicable safety regulations.

The instruction manual forms part of the product and should be kept near the device and easily accessible for anyone carrying out the installation, servicing, maintenance or cleaning.

1.2 Key to symbols

In this manual, symbols are used to highlight important safety instructions and any advice relating to the device. The instructions should be followed very carefully to avoid any risk of accident, personal injury or material damage.



WARNING!

This symbol highlights hazards, which could lead to injury.

Please follow the instructions very carefully and proceed with particular attention in these cases.



WARNING! Electrical hazard!

This symbol draws attention to potential electrical hazards. If you do not follow the safety instructions, you may risk injury or death.



CAUTION!

This symbol highlights instructions, which should be followed to avoid any risk of damage, malfunctioning and/or breakdown of the device.



NOTE!

This symbol highlights tips and information, which have to be followed for an efficient and trouble-free operation of the device.



WARNING! Hot surface!

This symbol is a warning that the device surface is hot when in use. Ignoring this warning may result in burns!

1.3 Liability and Warrantees

All the information and instructions in this manual take into account standard safety regulations, current levels of technical engineering as well as the expertise and experience we have developed over the years.

The instruction manual was translated with all due care and attention. However, we do not accept liability for any translation errors. The German version of this instruction manual is definitive.

If the delivery consists of a special model, the actual scope of delivery may differ from the descriptions and illustrations in this manual. This is also the case for special orders or when the device has been modified in line with new technology.



NOTE!

Read this manual carefully and thoroughly before any operation of the device, and especially before turning it on!

Manufacturer **is not liable** for any damages or faults caused by:

- violation of advice concerning operation and cleaning;
- use other than designed;
- alterations made by user;
- use of inadequate spare parts.

We reserve the right to make technical changes for purposes of developing and improving the useful properties.

1.4 Copyright protection

The instruction manual including any texts, drawings, images or other illustrations is copyright. No part of this publication may be reproduced, transmitted or used in any form or by any means without permission in writing from the manufacturer. Any person who commits any unauthorized act in relation to this publication shall be liable to claims for damages. All rights reserved.



NOTE!

The contents, texts, drawings, pictures and any other illustrations are copyright and subject to other protection rights. Any person unlawfully using this publication is liable to criminal prosecution.

1.5 Declaration of conformity

The device complies with the current standards and directives of the EU.

We certify this in the EC declaration of conformity.

If required we will be glad to send you the according declaration of conformity.

2. Safety

This section provides an overview of all important safety aspects.

In addition every chapter provides precise safety advice for the prevention of dangers which are highlighted by the use of the above mentioned symbols.

Furthermore, attention should be paid to all pictograms, markers and labels on the device, which must be kept in a permanent state of legibility.

By following all the important safety advice you gain an optimal protection against all hazards as well as the assurance of a safe and trouble-free operation.

2.1 General information

This device is designed in accordance with the presently applicable technological standards. However, the device can pose a danger if handled improperly and inappropriately.

Knowing the contents of the instruction manual as well as avoiding mistakes and thus operating this device safely and in a fault-free manner is very essential to protect yourselves from the hazards.

To prevent hazards and to ensure optimum efficiency, no modifications or alterations to the device that are not explicitly approved by the manufacturer may be undertaken.

This device may only be operated in technically proper and safe condition.

2.2 Safety instructions for use of the device

The specifications regarding the industrial safety are based on the Regulations of the European Union applicable at the time of manufacturing the device.

If the device is used commercially, the user is obliged to ensure that the said industrial safety measures concur with the state of the rules and regulations applicable at the time in question for the entire period of use of the device and to comply with the new specifications.

Outside the European Union, the industrial safety laws applicable at the place of installation of the device and the regional territorial provisions must be complied with.

Besides the industrial safety instructions in the instruction manual, the general safety and accident prevention regulations as well as environment protection regulations applicable for area of application of the device must be followed and complied with.



CAUTION!

- The device can be used by children **8 years and up**, as well as by people with disabilities and those with limited experience/knowledge as long as they are under supervision or have been instructed on proper use of the device and its possible dangers.

- **Children** should not play with the device.
- Cleaning and **maintenance cannot be performed by children** younger than 8 years old and must be done under supervision.
- **Children under the age of 8 years old** must be kept away from the device and its power cord.
- Please keep these instructions and give them to future owners of the device.
- All people using the device should follow the instructions and tips contained in these instructions.
- Only use the device indoors.

2.3 Intended use

Safe operation is only guaranteed when using the device for its intended purpose.

Any technical interventions, as well as assembly and maintenance are to be made by a qualified customer service only.

The device is intended for home use or in similar places such as:

- in kitchens for store or office employees or in other service locations;
- in suburban properties;
- by guests of hotels, motels and other places of accommodation;
- in Bed & Breakfasts.

The **chafing dish** and **soup warmer** are only intended to be used for **keeping food hot**.

Do not use the **chafing dish** or **soup warmer** for:

- Preparation of foods;
- Preparation of warm or hot water;
- Heating or cooking of fluids containing sugar, acid, leach or alcohol;
- Filling or heating inflammable, noxious, volatilizing or similar fluids or materials.



CAUTION!

Any use going beyond the intended purpose and/or any different use of the device is forbidden and is not considered as conventional.

Any claims against the manufacturer or his authorized representative as a consequence of experiencing damages resulting from unconventional use are impossible.

The operator is liable for all damages resulting from inappropriate use.

3. Transport, packaging and storage

3.1 Delivery check

Please check the delivery upon completeness and transport damage immediately after receipt. In case of visible damage do not accept or accept the delivery with reservation only.

Note the extent of damage on the carrier's bill of delivery. Trigger off the complaint.

Hidden damages should be reclaimed immediately after notice, as claims for damages can only be asserted within the effective period for complaints.

3.2 Packaging

Please do not throw away the covering carton of your device as it might be useful for storage purposes, when moving or, in case of damages, when the device must be sent back to a repair center. The outer and inner packing material should be removed completely from the device before installation.



NOTE!

If you liked to dispose the packing, consider the regulations applicable in your country. Supply re-usable packing materials to the recycling.

Please inspect the device upon completeness. In case any part is missing please contact our customer service center immediately.

3.3 Storage

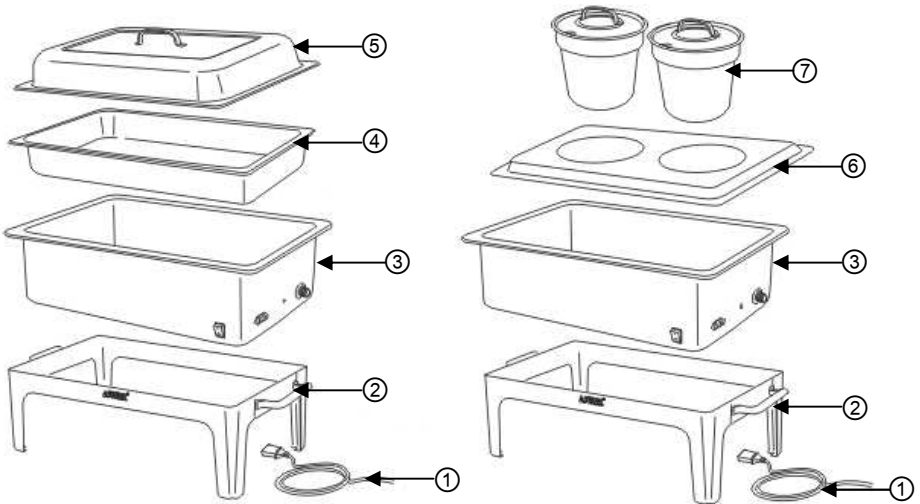
Keep the package closed until installation and under consideration of the outside indicated positioning- and storage markings.

Packages should be stored under consideration of the following:

- Do not store outdoors.
- Keep it dry and dust-free.
- Do not expose it to aggressive media.
- Do not expose it to direct sunlight.
- Avoid mechanical shocks and vibration.
- In case of longer storage (> 3 months) make sure you check the state of the packaging and the parts regularly.
If required refresh or renew.

4. Technical data

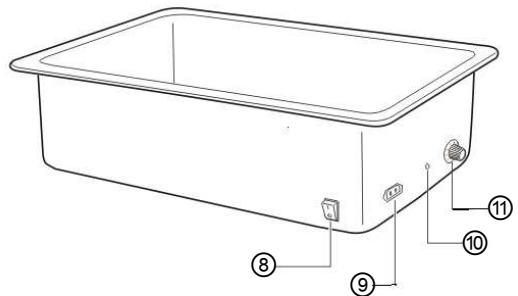
4.1 Overview of parts



500830

500840

- ① Network cable
- ② Steel frame
- ③ Water container
- ④ GN- container
- ⑤ Lid
- ⑥ Support plate
- ⑦ Soup pot with lid
- ⑧ **ON/OFF** switch
- ⑨ Connector
- ⑩ Heat indicator lamp
- ⑪ Temperature dial



4.2 Technical specification

Description	Electrical chafing dish 1/1 GN, 100 mm deep *	Electrical soup warmer with 2 soup pots à 4 l
Code-No.:	500830	500840
Material:	Stainless steel, water container: plastic, black	
Temperature control:	1 – 8	
Power connection:	2,2 kW / 230 V~ 50 Hz	
Dimensions:	B 636 x T 357 x H 287 mm	B 630 x T 360 x H 460 mm
Weight:	6.2 kg	7.0 kg
Accessories:	1 lid holder	1 lid holder, 2 soup ladles

We reserve the right to make technical changes!

* 2 x 1/2 Gastronorm or 3 x 1/3 Gastronorm containers of 100 mm depth are also suitable (not included!)

5. Installation and operation

5.1 Safety instructions



WARNING! Risk of electric shock!

The device must only be connected to a properly installed single socket with protective contact.

Never remove the power cable by pulling the cable itself; always grab the plug housing.

- Never allow the power cable to come into contact with heat sources or sharp edges. The power cable should not hang over the side of the working surface. Ensure that no one can step on or trip over the cable.
- The power cable must not be folded, bent or tangled, and must always remain fully unrolled.
- Never place the device or other objects on the power cable.
- Do not lay the cable over carpets or heat insulations. Do not cover the cable. Keep away the cable from operating range and do not dunk it into water.
- Do not use the device in case it does not function properly, has been damaged or dropped.

- Do not use any accessory or spare parts that have not been recommended by the manufacturer. These can be dangerous for the user or lead to damages of the device or personal injury, and further, the warranty expires.
- Do not move or tilt the device when in operation.

5.2 Installation and connection

- Unpack the device and remove all packing material.
- Put the device in a safe place that can support its weight and is not heat sensitive.
- **Never** place the device at the edge of a table to avoid accidents.
- **Never** put the device in a moist or wet area.
- Do not place the device near an open flame, electric heater or other heat source.



WARNING! Hazard via electrical current!

The device can cause injuries due to improper installation!

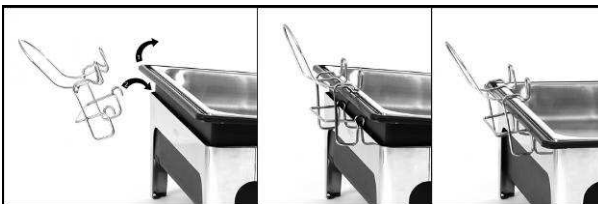
Before installation the local power grid specification should be compared with that of the device (see type label).

Connect the device only in case of compliance! Take note of the security advice!

- The electrical circuit of the socket must be secured to at least 16A. Only connect the device to a wall outlet; do not use any extension cords or power strips.
- Place the device so that the plug is easily accessible so as to quickly disconnect the device if the need arises.

5.3 Operation

- Clean the device thoroughly before using for the first time (see 6.2 “Cleaning”).
- Then place the water container in the steel frame.
- Attach the supplied lid holder to the device (see diagram below).



- Fill the water container with water up to the fill level as marked.



CAUTION!

Never use the device without water!

Ensure that the water level is not below the marking on the container.

Do not fill with too much water, as the food containers must be not allowed to float.



NOTE!

Fill the water containers with warm water, as this saves time and energy!

- Fill the suitable Gastronorm containers or soup pots with the desired **warm** food and place them in the water container.



CAUTION!

Ensure that no liquids spill over while the device is in operation!

To avoid injury, do not overfill the food container!

- Connect the device to a suitable single mains socket.



CAUTION!

Always connect the mains cable to the socket on the device before connecting it to the mains!

- The device is now ready to keep your food warm.
- Place the lid on the food container
- Switch the device on using the **ON/OFF** switch. The red power lamp on the switch lights up.
- The temperature of the device can be adjusted using the temperature dial (levels 1-8).
The highest temperature can be reached by turning the temperature dial clockwise to position 8. On this setting, the water in the water container is heated up to approx. 85 °C. During heating the red heat indicator lamp next to the temperature dial lights up. This goes out as soon as the set temperature has been reached. If the temperature in the water container drops by around 10 °C, the indicator lamp comes back on and the water in the water container is heated back up to the set temperature.
- If the foods are to be kept at a lower temperature, select a setting below 8. To do this, turn the temperature dial anti-clockwise.
- The food in the Gastronorm containers/soup pots are kept warm by the heated water in the water container.
- To serve food from the container, remove the lid and place it on the lid holder.



WARNING! Risk of burns!

Hot steam may escape when serving food, be very careful when removing the lid.

- Serve the warm food and replace the lid on the container to prevent heat escaping.
- When you have finished with the device, disconnect the mains cable from the mains supply, then from the device.
- If you no longer wish to use the device, remove the water from the water container. Allow the water to cool before removing! **Risk of scalding!**

6. Cleaning and maintenance

6.1 Safety advice

- Before beginning with repair or cleaning works make sure the device has been disconnected from power supply and has cooled down.
- Do not use any acid agents and make sure no water ingresses the device.
- To protect yourself from electric shock, **never** immerse the device, its cables and the plug in water or other liquids.



CAUTION!

The device is not suited for direct washing via water jets.

Therefore, you must not use any kind of pressure water jet for cleaning the device!

6.2 Cleaning

- Clean the device regularly!
- Wipe off the water container, steel frame and lid holder thoroughly with a mild cleaning agent and a soft, damp cloth.
- Clean the Gastronorm containers/soup pots, lids and ladles with warm water and a mild cleaning agent. Rinse off with clean water and dry with a soft cloth.
- Use soft cloth only and make sure you never use any kind of abrasive agents or pads, which could scratch the surface.
- After the cleaning procedure you should use a soft and dry cloth to wipe dry and polish the surface.
- When using the device often and intensively the bottom of the water container should be cleaned regularly. Herefore you may use vinegar or a special descaling agent.

6.3 Safety instructions for maintenance

- Inspect the power cable regularly for damage. Never use the device if the cable is damaged. If the power cable is damaged, have an authorised service center or qualified electrician replace it.
- In case of damage or malfunction, please contact your stockist or our customer service centre.
- Only a qualified technician and using original spare parts and accessories should carry out repairs and maintenance of the device. **Do not attempt to repair the device yourself.**

7. Waste disposal

Discarding old devices

At the end of its service life the discarded device has to be disposed in accordance with the national regulations. It is advisable to contact a company which is specialized in waste disposal, or just contact the local disposal service in your community.



WARNING!

To exclude any abuse and the dangers involved make the waste device unfit for use before disposal. For that purpose disconnect device from mains supply and remove mains connection cable from the device.



NOTE!



For the disposal of the device please consider and act according to the national and local rules and regulations.

Bartscher GmbH
Franz-Kleine-Str. 28
D-33154 Salzkotten
Germany

phone: +49 (0) 5258 971-0
fax: +49 (0) 5258 971-120